

---

*Comfort-Aire*®

 **Century**®

**MARS**®  
Delivering Confidence

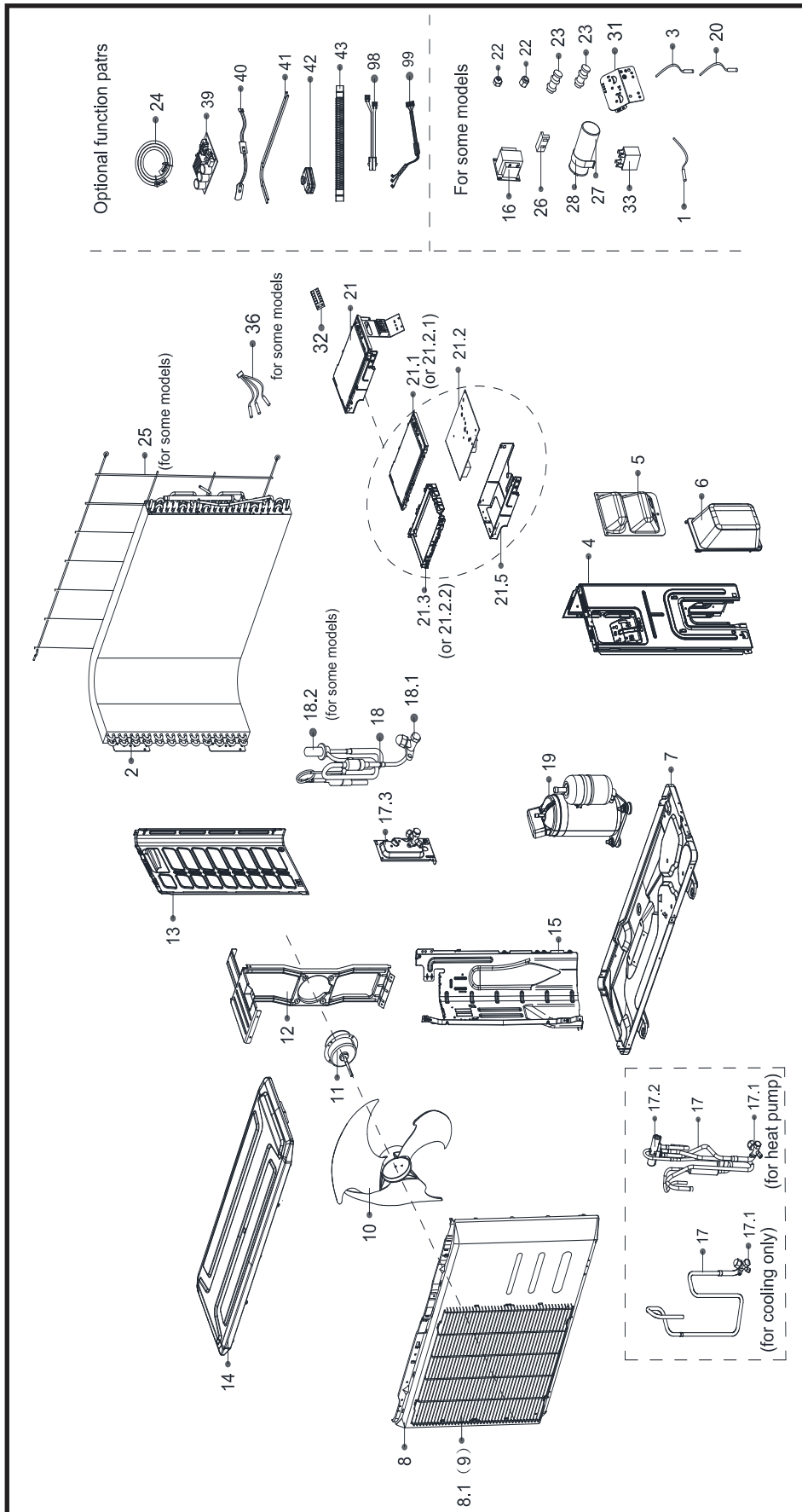
---

REPLACEMENT PARTS LIST

**Single Zone Ductless Mini-Split  
with Inverter Technology**

A-DVH09SG-0

# EXPLODED VIEW



## REPLACEMENT PARTS

Location	Part Name	Quantity	Part No.
2	Condenser assembly	1	15822000008140
4	Right clapboard assembly	1	12222000006249
5	Big handle assembly	1	12222000010966
6	Water collector	1	12122000007150
7	Chassis Assembly	1	12222000006485
8	Front panel assembly	1	12222000004842
9	Air outlet grille	1	12222000007424
10	Axial flow fan	1	12100105000057
11	Brushless DC Motor	1	11002015008264
12	Supporter subassembly of fan motor	1	12222000008924
13	Left supporter	1	12222000006244
14	Top cover assembly	1	12222000006246
15	Partition board assembly	1	12222000006484
16	Reactor	1	17400306000019
17	4-way Valve Assembly	1	15422000015932
17.1	Gas valve	1.0	15500204000021
17.2	4-way valve	1.0	15500216000341
17.3	Valve plate	1.0	12222000002571
18	Liquid valve assembly	1	15422000004812
18.1	Liquid valve	1.0	15500208000028
19	DC Inverter rotary compressor	1	11103020005082
21	Electronic control box subassembly	1	17222000029831
21.2	Outdoor main control board subassembly	1.0	17122000044766
21.2.1	Cover of electronic control box	1.0	12222000001455
21.2.2	Support of electronic control box	1.0	12122000006913
21.5	Electronic installing box subassembly	1.0	12222000001311
22	Copper nut	1	15500406000010
22	Copper nut	1	15500406000016
25	Rear net	1	12222000003986
27	Capacitor of compressor	1	17400103000052
28	Capacitor clip	1	12200203000007
31	Terminal board	1	12222000002259
32	Terminal	1	17400401000075
36	Combination Sensor	1	11201011000067
40	Crankcase electric heater	1	17402001000559
41	Electric heating tube	1	17402002000465
43	Drain pipe	1	12100509000059
99	Compressor wire subassembly	1	17401203000802

---

Due to ongoing product improvements, specifications and dimensions are subject to change and correction without notice or incurring obligations. Determining the application and suitability for use of any product is the responsibility of the installer. Additionally, the installer is responsible for verifying dimensional data on the actual product prior to beginning any installation preparations.

Incentive and rebate programs have precise requirements as to product performance and certification. All products meet applicable regulations in effect on date of manufacture; however, certifications are not necessarily granted for the life of a product. Therefore, it is the responsibility of the applicant to determine whether a specific model qualifies for these incentive/rebate programs.

*Comfort-Cire*®  **Century**®

1900 Wellworth Ave., Jackson, MI 49203 • Ph. 517-787-2100 • [www.marsdelivers.com](http://www.marsdelivers.com)



---

*Comfort-Aire*®

 **Century**®

**MARS**®  
Delivering Confidence

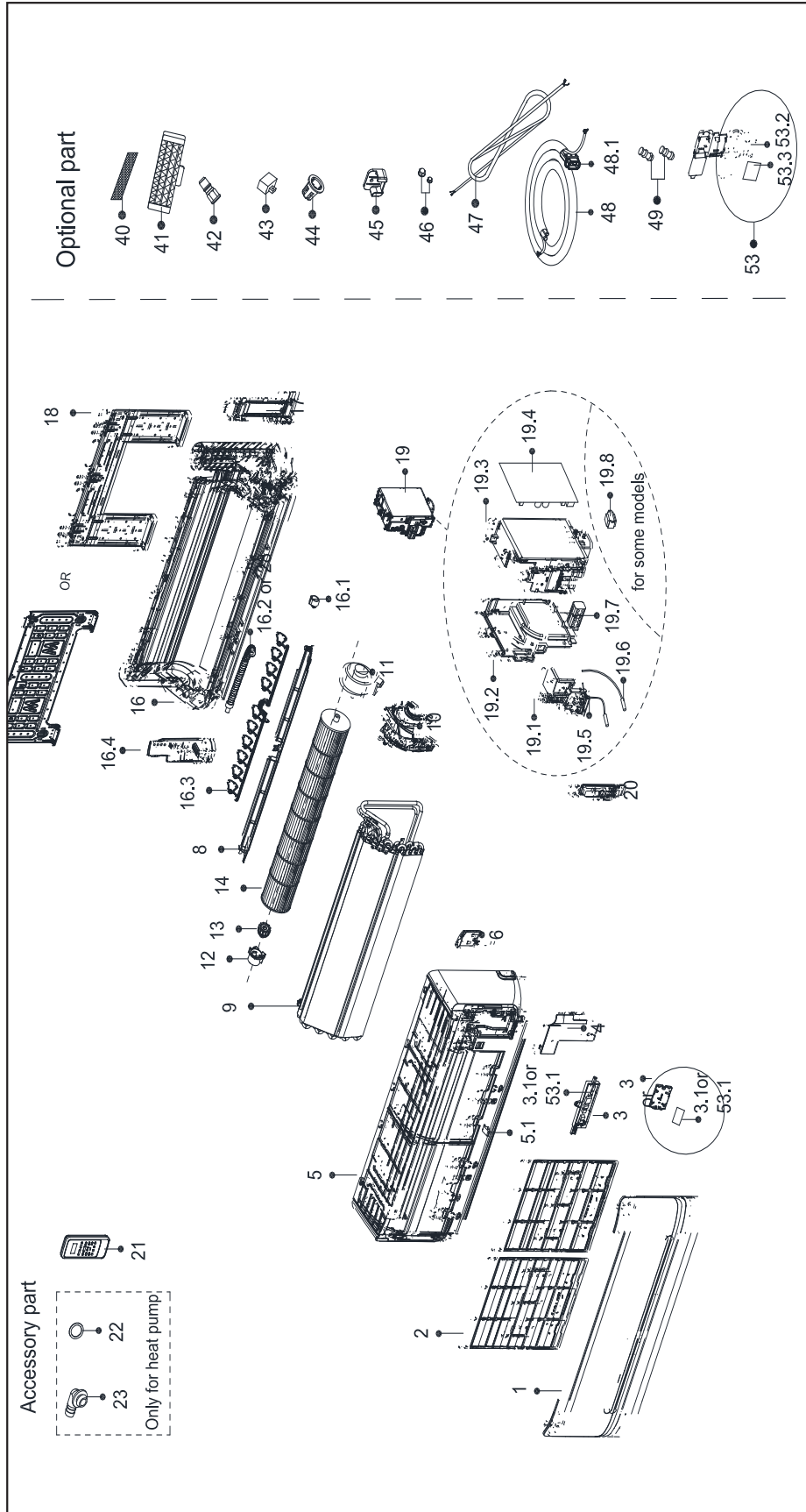
---

## REPLACEMENT PARTS LIST

# Single Zone Ductless Mini-Split with Inverter Technology

B-DVH09SG-0

# EXPLODED VIEW



## REPLACEMENT PARTS

Location	Part Name	Quantity	Part No.
1	Panel assembly	1	12122000A77152
2	Air filter	2	12100204000479
4	Cover of electrical equipment	1	12122000006755
5	Panel frame assembly	1	12122000001894
5.1	Screw Cap	1.0	12122000008242
6	Front cover of chassis(right)	1	12122000004587
8	Horizontal louver assembly	1	12122000008055
9	Evaporator assembly	1	15822000008693
10	Fan motor cover	1	12122000005540
11	Brushless DC Motor	1	11002015006201
12	Bearing holder	1	12122000000350
13	Bearing base	1	12622000000006
14	Cross flow fan	1	12100102000070
16	Chassis assembly	1	12122000012359
16.1	Stepper motor	1.0	11002010000143
16.3	Vertical vane subassembly	1.0	12122000000039
16.4	Front cover of chassis(left )	1.0	12122000010098
17	pipe clamp board	1	12122000012943
18	Installation plate	1	12222000A00811
19	Electronic control box subassembly (Mid-and	1	17222000028235
19.1	Electronic control box	1.0	12122000004577
19.2	Left cover of electronic control box	1.0	12122000004639
19.3	Right cover of electronic control box	1.0	12122000004632
19.4	Main control board subassembly	1.0	17122000044765
19.5	Room temperature sensor	1.0	11201007003424
19.6	Pipe Temperature Sensor	1.0	11201007003447
19.7	Terminal	1.0	17400401000006
20	Cover of electronic control box	1	12122000005020
21	Remote controller	1	17317000A51872
22	seal ring	1	12600701000039
23	Drain hose	1	12100509000061
28	Drain hose	1	12100501000032
40	Filter	2	12100207000131
42	Check valve	1	15500209000001
45	Bracket of remote Controller	1	12117000002114
46	Copper nut	1	15500406000016
46	Copper nut	1	15500406000010
53	Display box subassembly	1	17222000A07041
53.1	Display board subassembly	1.0	17122000A07845
53.2	Display box	1.0	12122000A03192

---

Due to ongoing product improvements, specifications and dimensions are subject to change and correction without notice or incurring obligations. Determining the application and suitability for use of any product is the responsibility of the installer. Additionally, the installer is responsible for verifying dimensional data on the actual product prior to beginning any installation preparations.

Incentive and rebate programs have precise requirements as to product performance and certification. All products meet applicable regulations in effect on date of manufacture; however, certifications are not necessarily granted for the life of a product. Therefore, it is the responsibility of the applicant to determine whether a specific model qualifies for these incentive/rebate programs.

*Comfort-Cire*®  **Century**®

1900 Wellworth Ave., Jackson, MI 49203 • Ph. 517-787-2100 • [www.marsdelivers.com](http://www.marsdelivers.com)

